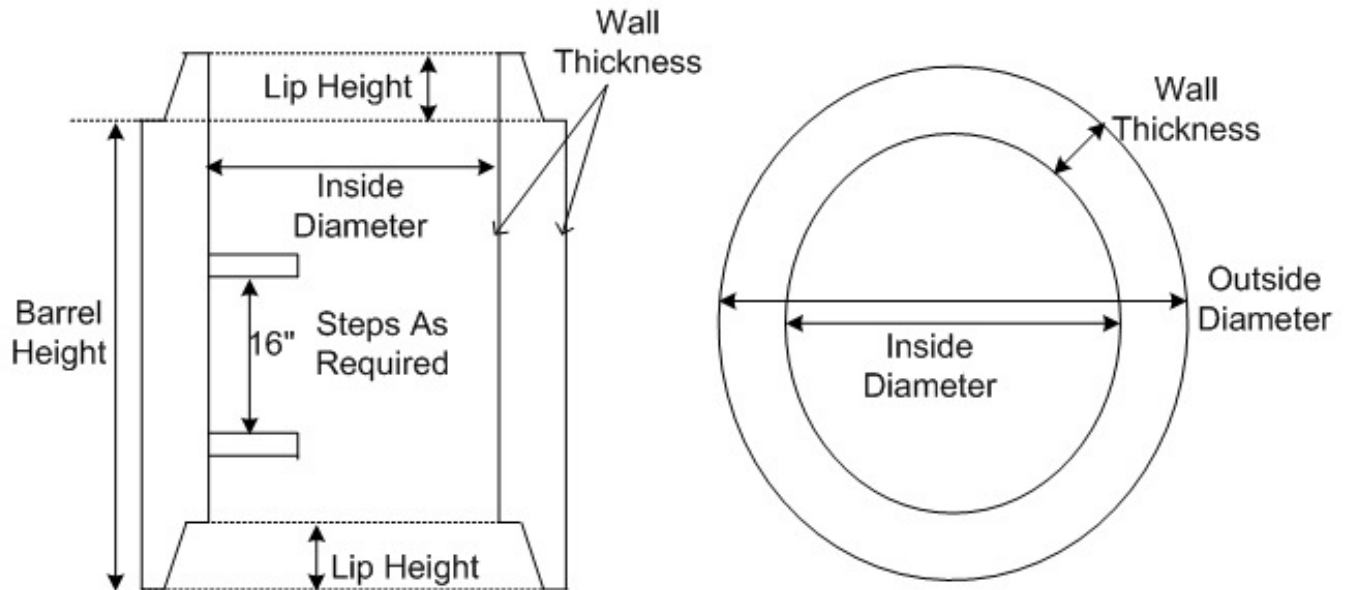


**PRECAST CONCRETE BARREL SECTION**

NOTE: ALL MATERIAL SHALL CONFORM TO A.S.T.M. C-478 /  
A.A.S.H.T.O. M199 STANDARD SPECIFICATIONS



ITEM	~INSIDE DIA.	~HEIGHT	~OUTSIDE DIA.	~WALL THICKNESS	~LIP HEIGHT
2X6 BARREL	24"	6"	30"	3"	FLAT
2X1 BARREL	24"	12"	30"	3"	FLAT
2X2 BARREL	24"	24"	30"	3"	FLAT
2X4 BARREL	24"	48"	30"	3"	FLAT
4X12 BARREL	48"	12"	58"	5"	4.5"
4X16 BARREL	48"	16"	58"	5"	4.5"
4X24 BARREL	48"	24"	58"	5"	4.5"
4X32 BARREL	48"	32"	58"	5"	4.5"
4X48 BARREL	48"	48"	58"	5"	4.5"
4X60 BARREL	48"	60"	58"	5"	4.5"
5X12 BARREL	60"	12"	72"	6"	5"
5X24 BARREL	60"	24"	72"	6"	5"
5X36 BARREL	60"	36"	72"	6"	5"
5X48 BARREL	60"	48"	72"	6"	5"
5X60 BARREL	60"	60"	72"	6"	5"

**NORWALK**



**TANK  
COMPANY**

2121 Maple Road  
Joliet, IL 60432  
Phone: (815)726-3351  
Fax: (815) 726-2945

DETAIL OF  
PRECAST  
CONCRETE  
BARREL  
SECTION

For pricing information,  
phone, fax or email  
[estimate@norwalktank.com](mailto:estimate@norwalktank.com)