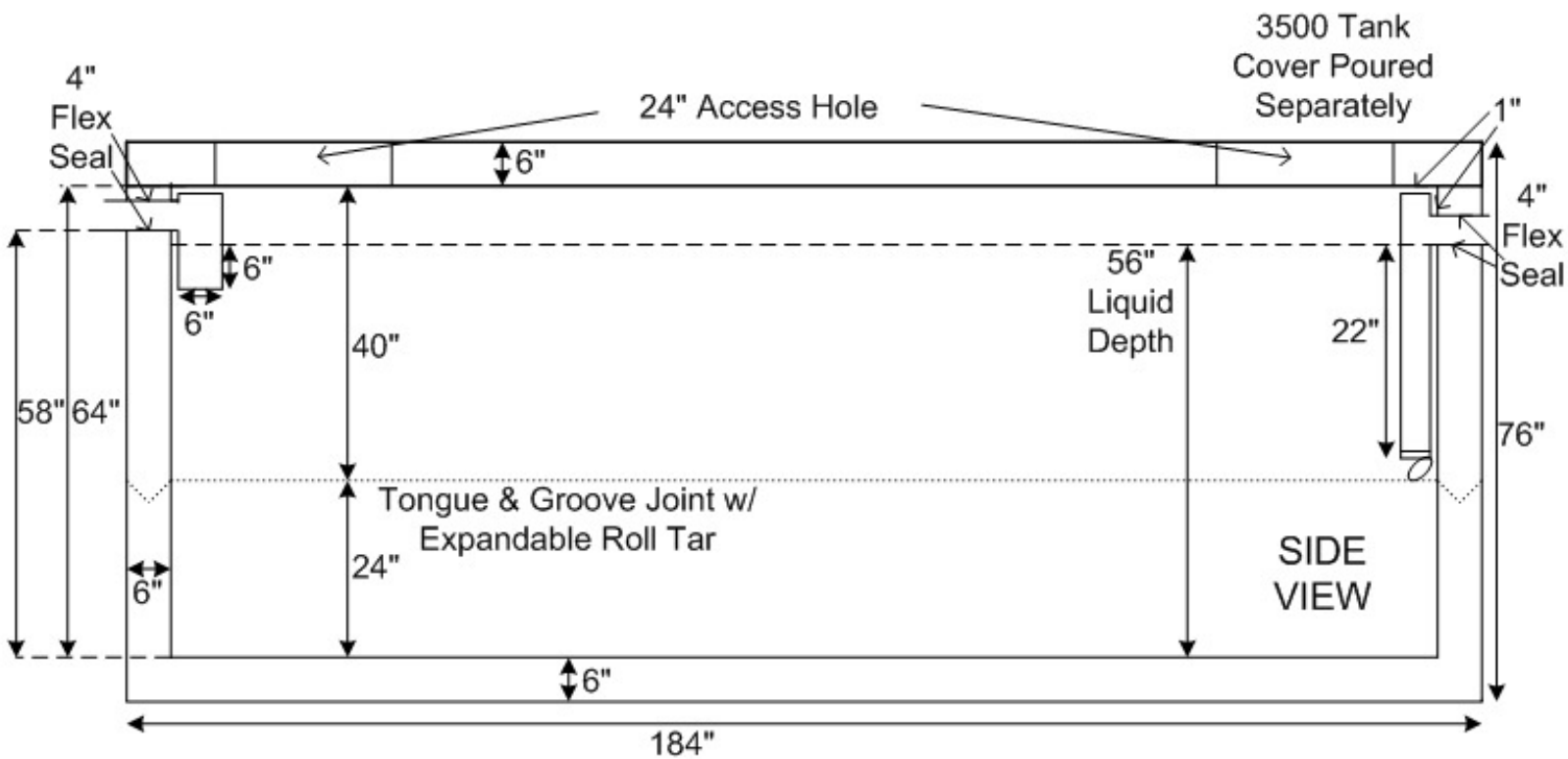
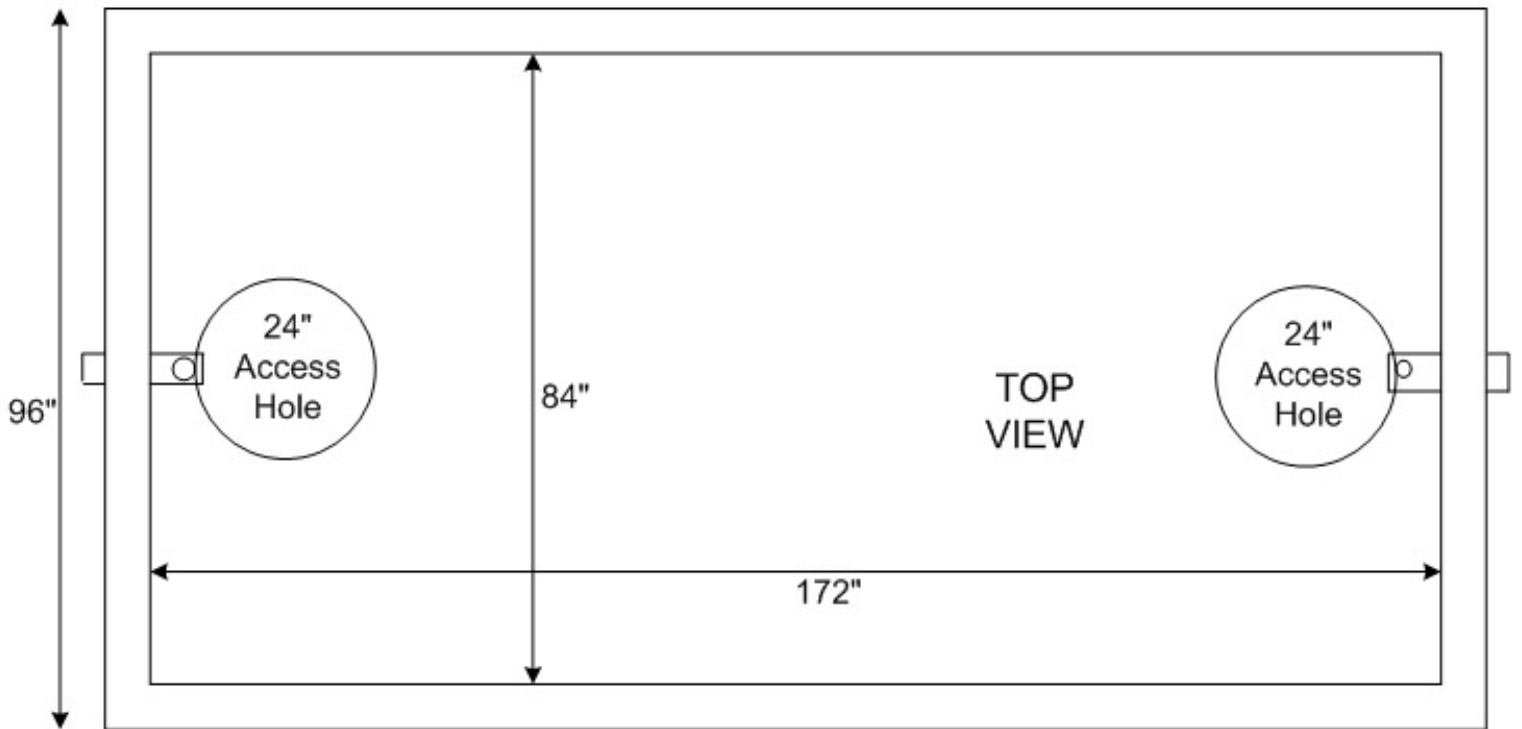


3500 GALLON SEPTIC TANK
ILLINOIS STATE APPROVAL #IL11



OPTIONAL: Can be poured with 18" x 18" access plugs instead of 24" round access holes.



2121 Maple Road
Joliet, IL 60432
Phone: (815)726-3351
Fax: (815) 726-2945

NORWALK 3500
SEPTIC TANK
ILLINOIS STATE
APPROVAL #IL11

For pricing information,
phone, fax or email
estimate@norwalktank.com