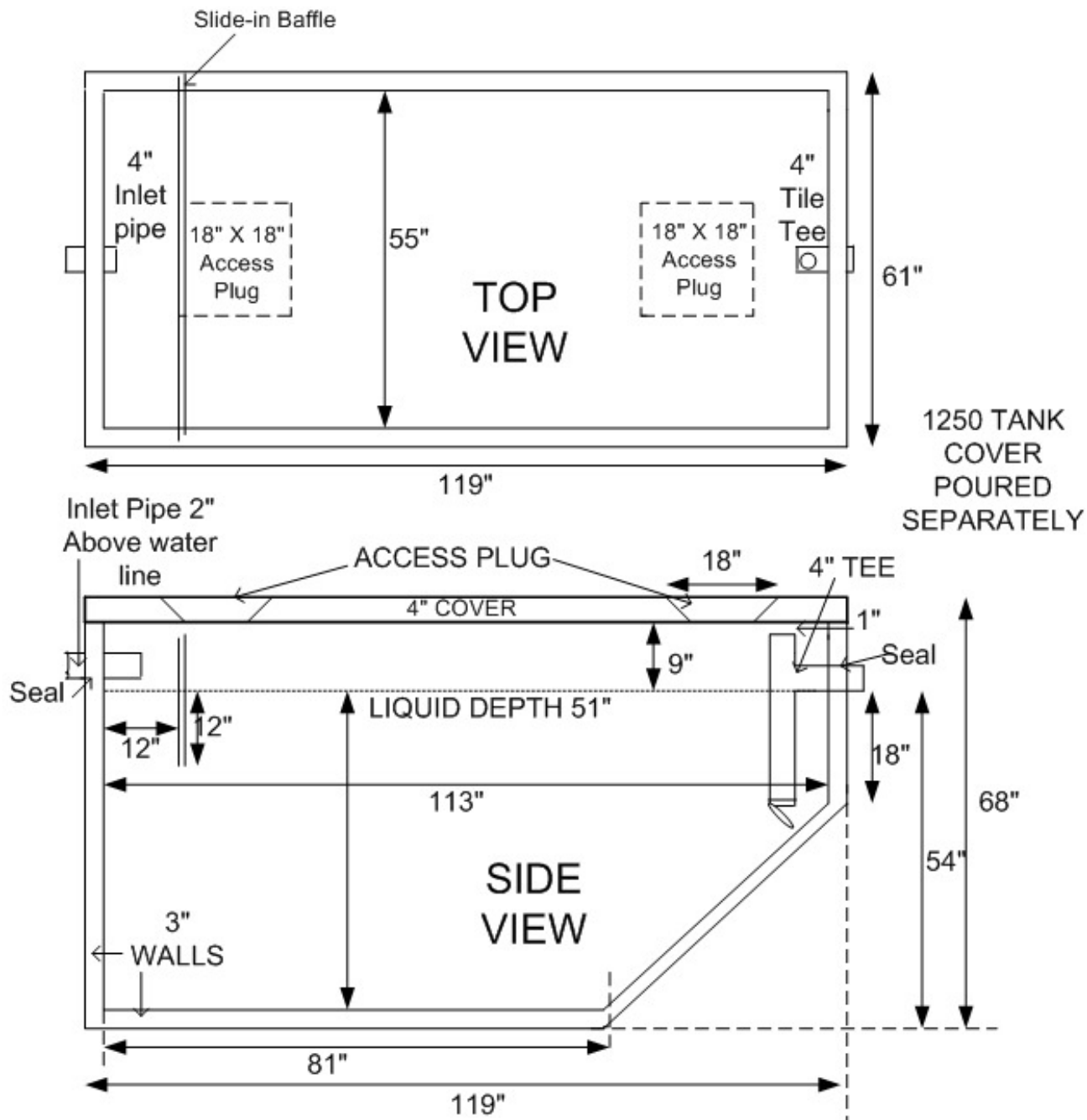


NORWALK 1250 GALLON
SEPTIC TANK
ILLINOIS STATE APPROVAL #IL11



NORWALK
TANK
COMPANY

2121 Maple Road
Joliet, IL 60432
Phone: (815)726-3351
Fax: (815) 726-2945

NORWALK 1250
SEPTIC TANK
ILLINOIS STATE
APPROVAL #IL11

For pricing information, phone,
fax or email
estimate@norwalktank.com